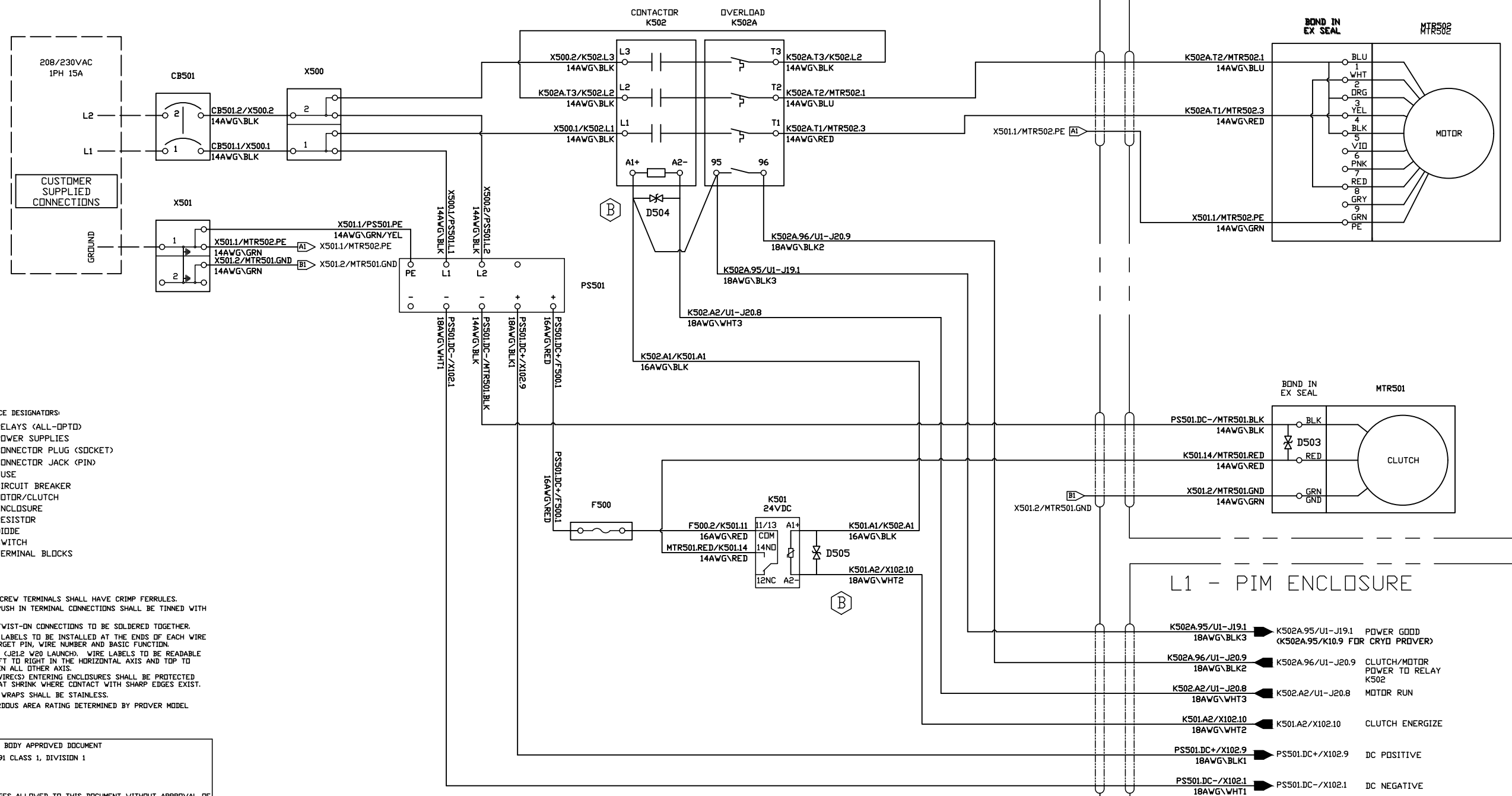


L500 - POWER ENCLOSURE

L501 - PROVER DRIVE



- REFERENCE DESIGNATORS
- K - RELAYS (ALL-OPTD)
 - PS - POWER SUPPLIES
 - P - CONNECTOR PLUG (SOCKET)
 - J - CONNECTOR JACK (PIN)
 - F - FUSE
 - CB - CIRCUIT BREAKER
 - M - MOTOR/CLUTCH
 - L - ENCLOSURE
 - R - RESISTOR
 - D - DIODE
 - S - SWITCH
 - X - TERMINAL BLOCKS

- NOTES:
- 1) ALL SCREW TERMINALS SHALL HAVE CRIMP FERRULES.
 - 2) ALL PUSH IN TERMINAL CONNECTIONS SHALL BE TINNED WITH SOLDER.
 - 3) ALL TWIST-ON CONNECTIONS TO BE SOLDERED TOGETHER.
 - 4) WIRE LABELS TO BE INSTALLED AT THE ENDS OF EACH WIRE WITH TARGET PIN, WIRE NUMBER AND BASIC FUNCTION. EXAMPLE: (J21.2 W20 LAUNCH). WIRE LABELS TO BE READABLE FROM LEFT TO RIGHT IN THE HORIZONTAL AXIS AND TOP TO BOTTOM IN ALL OTHER AXIS.
 - 5) ALL WIRE(S) ENTERING ENCLOSURES SHALL BE PROTECTED WITH HEAT SHRINK WHERE CONTACT WITH SHARP EDGES EXIST.
 - 6) WIRE WRAPS SHALL BE STAINLESS.
 - 7) HAZARDOUS AREA RATING DETERMINED BY PROVER MODEL NUMBER.

NOTIFIED BODY APPROVED DOCUMENT
CSA244391 CLASS 1, DIVISION 1

NO CHANGES ALLOWED TO THIS DOCUMENT WITHOUT APPROVAL OF NOTIFIED BODY OR CERTIFICATION AGENCY

L1 - PIM ENCLOSURE

- K502A.95/U1-J19.1 18AWG\BLK3 → K502A.95/U1-J19.1 POWER GOOD (K502A.95/K10.9 FOR CRYD PROVER)
- K502A.96/U1-J20.9 18AWG\BLK2 → K502A.96/U1-J20.9 CLUTCH/MOTOR POWER TO RELAY K502
- K502.A2/U1-J20.8 18AWG\WHT3 → K502.A2/U1-J20.8 MOTOR RUN
- K501.A2/X102.10 18AWG\WHT2 → K501.A2/X102.10 CLUTCH ENERGIZE
- PS501.DC+/X102.9 18AWG\BLK1 → PS501.DC+/X102.9 DC POSITIVE
- PS501.DC-/X102.1 18AWG\WHT1 → PS501.DC-/X102.1 DC NEGATIVE

REV	REVISIONS	DATE
B	MOVED TO AUTOCAD FORMAT ADDED CEMF DIODES TO CONTACTORS AND RELAYS	09/16/2022



FLOW MANAGEMENT DEVICES
5225 SOUTH 37th ST, STE 4
PHOENIX, AZ 85040
PHONE: (602) 233-9885
FAX: (602) 233-9887
EMAIL: fmd-sales@idexcorp.com
WWW.FLOWMDD.COM

NAME	DATE	TITLE:
DRAWN ROB K	ROB K	SYSTEM WIRING POWER 1PH 230VAC G4
REV BY RICHARD P	10/11/2022	
CHECK		
REF. NO.	REV B	P/N: 000-111416-DOC
		MODEL #:
		SHEET 1 OF 1
		SIZE B