

L500 - POWER ENCLOSURE

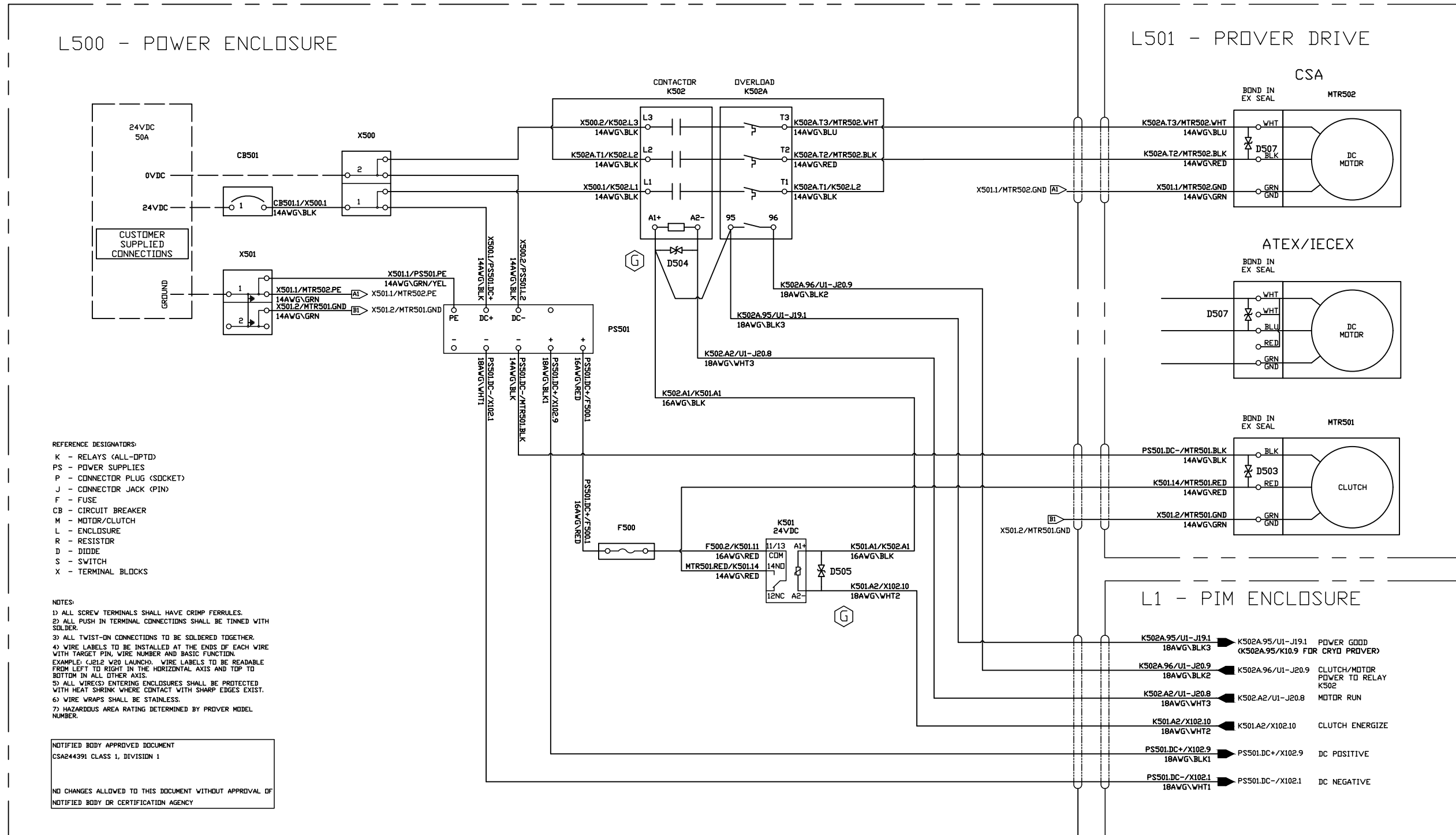
L501 - PROVER DRIVE

- REFERENCE DESIGNATORS:
 K - RELAYS (ALL-OPTD)
 PS - POWER SUPPLIES
 P - CONNECTOR PLUG (SOCKET)
 J - CONNECTOR JACK (PIN)
 F - FUSE
 CB - CIRCUIT BREAKER
 M - MOTOR/CLUTCH
 L - ENCLOSURE
 R - RESISTOR
 D - DIODE
 S - SWITCH
 X - TERMINAL BLOCKS

- NOTES:
 1) ALL SCREW TERMINALS SHALL HAVE CRIMP FERRULES.
 2) ALL PUSH IN TERMINAL CONNECTIONS SHALL BE TINNED WITH SOLDER.
 3) ALL TWIST-ON CONNECTIONS TO BE SOLDERED TOGETHER.
 4) WIRE LABELS TO BE INSTALLED AT THE ENDS OF EACH WIRE WITH TARGET PIN, WIRE NUMBER AND BASIC FUNCTION.
 EXAMPLE: (J2)2 V20 LAUNCH. WIRE LABELS TO BE READABLE FROM LEFT TO RIGHT IN THE HORIZONTAL AXIS AND TOP TO BOTTOM IN ALL OTHER AXIS.
 5) ALL WIRE(S) ENTERING ENCLOSURES SHALL BE PROTECTED WITH HEAT SHRINK WHERE CONTACT WITH SHARP EDGES EXIST.
 6) WIRE WRAPS SHALL BE STAINLESS.
 7) HAZARDOUS AREA RATING DETERMINED BY PROVER MODEL NUMBER.

NOTIFIED BODY APPROVED DOCUMENT
 CSAR244391 CLASS 1, DIVISION 1

NO CHANGES ALLOWED TO THIS DOCUMENT WITHOUT APPROVAL OF NOTIFIED BODY OR CERTIFICATION AGENCY



L1 - PIM ENCLOSURE

- K502A.95/UI-J19.1 18AWG\BLK3 → K502A.95/UI-J19.1 POWER GOOD (K502A.95/K10.9 FOR CRYD PROVER)
- K502A.96/UI-J20.9 18AWG\BLK2 → K502A.96/UI-J20.9 CLUTCH/MOTOR POWER TO RELAY K502
- K502A.2/UI-J20.8 18AWG\WHT3 → K502A.2/UI-J20.8 MOTOR RUN
- K501A2/X102.10 18AWG\WHT2 → K501A2/X102.10 CLUTCH ENERGIZE
- PS501.DC+/X102.9 18AWG\BLK1 → PS501.DC+/X102.9 DC POSITIVE
- PS501.DC-/X102.1 18AWG\WHT1 → PS501.DC-/X102.1 DC NEGATIVE

REV	REVISIONS	DATE
G	MOVED TO AUTOCAD FORMAT ADDED CEMF DIODES TO CONTACTORS AND RELAYS	09/16/2022



FLOW
 MANAGEMENT
 DEVICES

5225 SOUTH 37th ST, STE 4
 PHOENIX, AZ 85040
 PHONE: (602) 233-9885
 FAX: (602) 233-9887
 EMAIL: fmd-sales@idexcorp.com
 WWW.FLOWMDC.COM

	NAME	DATE
DRAWN	SANKET G	04/13/2020
REV BY	RICHARD P	10/11/2022
CHECK		
REF. NO.		REV G

TITLE:	
SYSTEM WIRING POWER DC G4	
P/N:	000-111414-DOC
MODEL #:	
SHEET	1 OF 1
SIZE	B