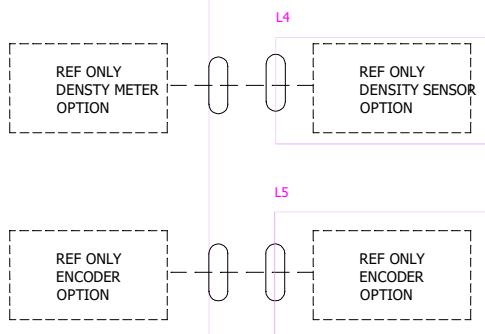
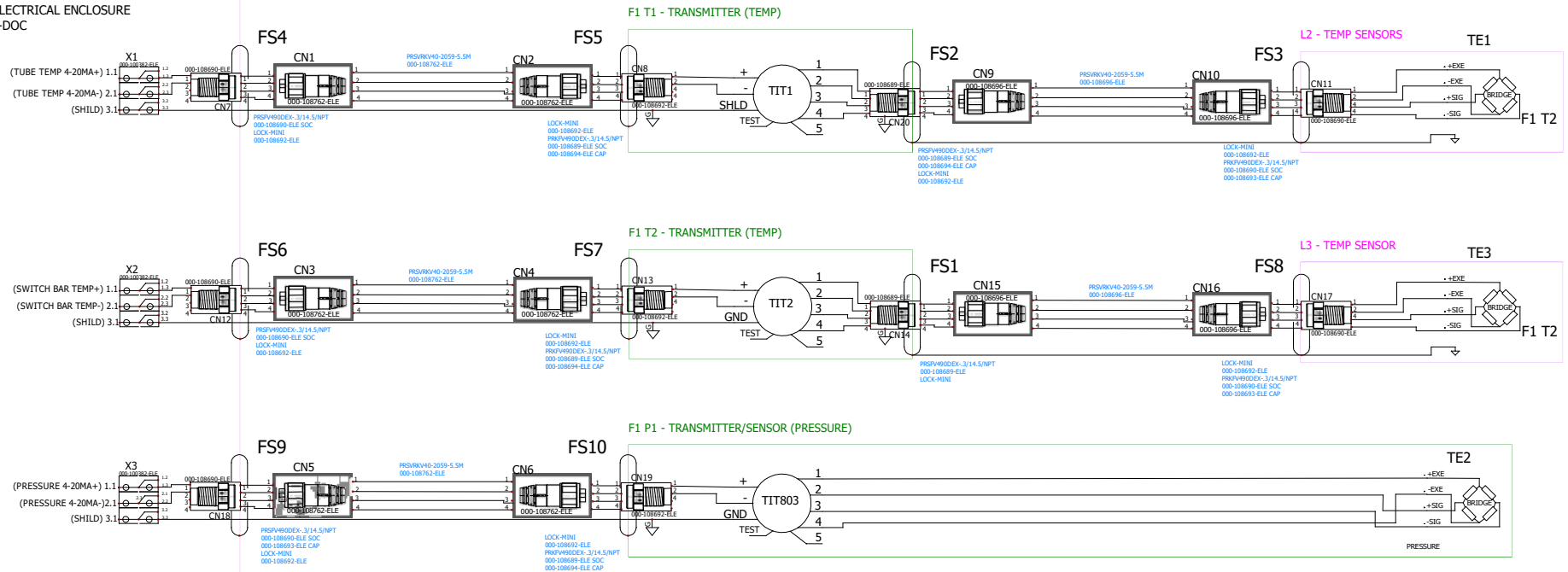


L1 - ENCLOSURE PIM

REF MAIN ELECTRICAL ENCLOSURE
000-111413-DOC



- REFERENCE DESIGNATORS:
 FS-FITTING SET (ENCLOSURE ENTRY)
 K-RELAYS(ALL-OPTO)
 PS-POWER SUPPLIES
 P-CONNECTOR PLUG (SOC)
 J-CONNECTOR JACK (PIN)
 F-FUSE
 CB-CIRCUIT BREAKER
 M-MOTOR/CLUTCH
 L-ENCLOSURE
 R-RESISTOR
 D-DIODE
 S-SWITCH
 X-TERMINAL BLOCKS

- NOTES:
 1) FOR ALL BOTTOM ACCESS ONLY DESIGN: DIN RAIL TO BE MOUNTED VERTICALLY
 2) ALL TERMINAL CONNECTION TO HAVE CRIMP FERRULES.
 3) WIRE LABELS: ALL WIRE ENDS WILL BE LABELLED TO INCLUDE A) TARGET.PIN AND B) WIRE NUMBER (X1.22 W23)
 4) CABLE GLANDS (FSx): EXPOSED METAL TO BE COVERED IN RUBBER GROMMET
 5) WIRE WRAPS SHALL BE STAINLESS (NO NYLON OR OTHER PLASTICS ALLOWED)
 6) L500, L800 AND CORRESPONDING FSx FITTING SETS EXISTS IN MULTI-ENCLOSURE DESIGNS ONLY. FOR SINGLE ENCLOSURE DESIGNS, THIS FITTING (FSx) IS OMITTED AND ALL WIRING SHOWN IS CONTAINED IN ENCLOSURE L1
 7) CLASS/DIVISION RATING DETERMINED BY FITTING SET (FSx) BILL OF MATERIALS (BOM)
 8) CABLE GLANDS SHALL BE PROTECTED AGAINST CORROSION, EITHER BY HEAT SHRINK, CORROSION TAPE OR PVC SHROUD.
 9) CHASSIS GROUNDING SHALL BE MADE AT TWO DIAGONAL OPPOSITE CORNERS USING TWO-HOLE COMPRESSION CONNECTORS (2/0AWG COPPER).
 10) OPTIONAL PURGE INTERLOCK OPTION
 11) USE 18 AWG WIRING UNLESS OTHERWISE INDICATED
 12) ALL WIRES BUNDLES ENTERING ENCLOSURES SHALL BE PROTECT WITH HEATSHRINK



Flow Management Devices, LLC
 5225 S 37th St, Suite 4
 Phoenix, Az 85040
 602-233-9885

SYSTEM WIRING SENSORS STD

NAME	DATE	TITLE:	REVISION
DRAWN	7/9/2018	SYSTEM WIRING SENSORS STD	
LAST REVISED	kazi.hussain	P/N: 000-113944-DOC	
CHECKED		MODEL#: CLASS 1 DIV 2 TURCK	
SO#:			
SHEET 01 OF 01			A