

1 2 3 4 5 6 7 8 9 10

A A

B B

C C

D D

E E

F F

G G

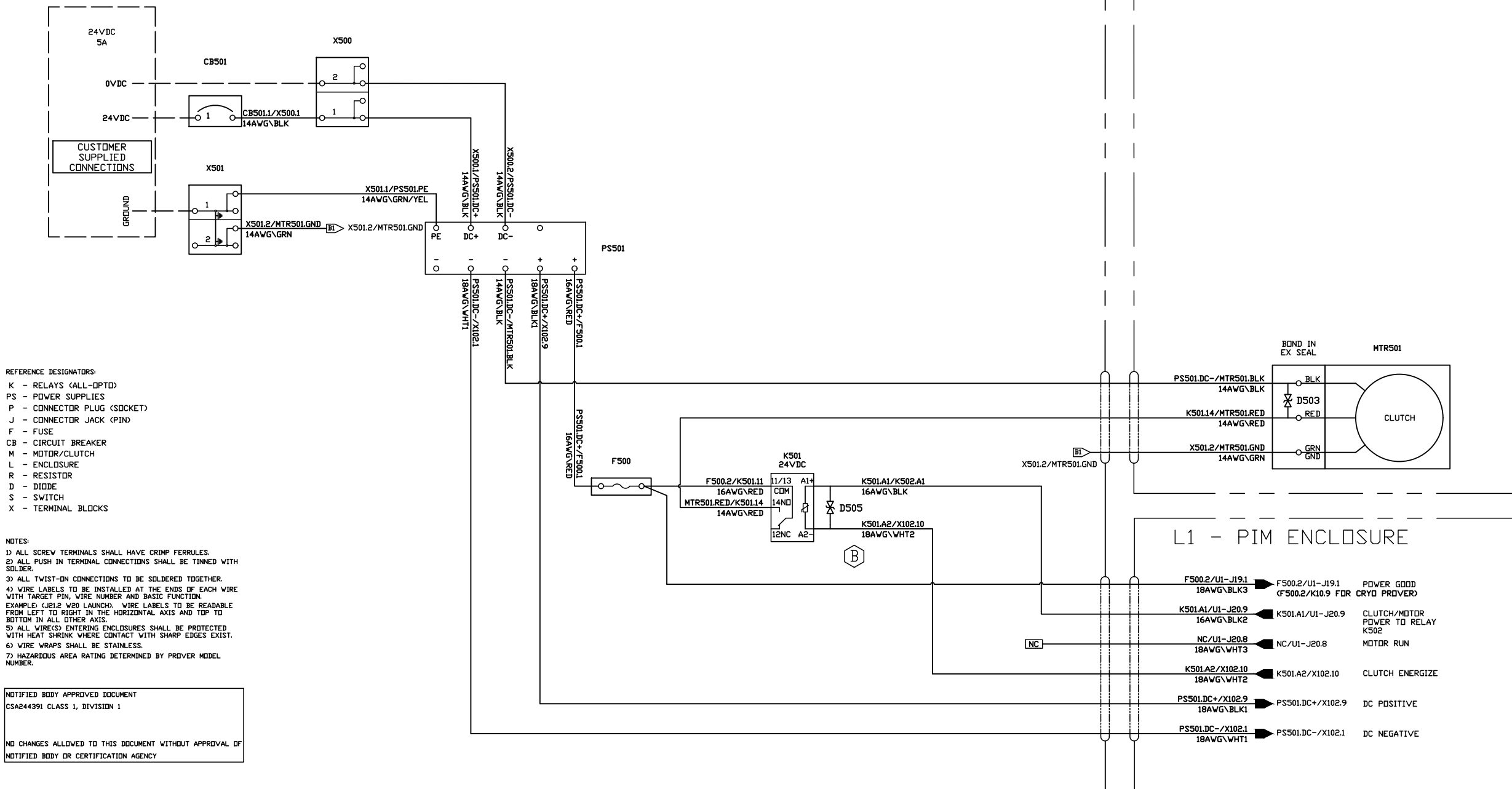
H H

I I

J J

L500 - POWER ENCLOSURE

L501 - PROVER DRIVE



- REFERENCE DESIGNATORS:
 K - RELAYS (ALL-DPTD)
 PS - POWER SUPPLIES
 P - CONNECTOR PLUG (SOCKET)
 J - CONNECTOR JACK (PIN)
 F - FUSE
 CB - CIRCUIT BREAKER
 M - MOTOR/CLUTCH
 L - ENCLOSURE
 R - RESISTOR
 D - DIODE
 S - SWITCH
 X - TERMINAL BLOCKS

- NOTES:
 1) ALL SCREW TERMINALS SHALL HAVE CRIMP FERRULES.
 2) ALL PUSH IN TERMINAL CONNECTIONS SHALL BE TINNED WITH SOLDER.
 3) ALL TWIST-ON CONNECTIONS TO BE SOLDERED TOGETHER.
 4) WIRE LABELS TO BE INSTALLED AT THE ENDS OF EACH WIRE WITH TARGET PIN, WIRE NUMBER AND BASIC FUNCTION.
 EXAMPLE: (J212 W20 LAUNCH). WIRE LABELS TO BE READABLE FROM LEFT TO RIGHT IN THE HORIZONTAL AXIS AND TOP TO BOTTOM IN ALL OTHER AXIS.
 5) ALL WIRE(S) ENTERING ENCLOSURES SHALL BE PROTECTED WITH HEAT SHRINK WHERE CONTACT WITH SHARP EDGES EXIST.
 6) WIRE WRAPS SHALL BE STAINLESS.
 7) HAZARDOUS AREA RATING DETERMINED BY PROVER MODEL NUMBER.

NOTIFIED BODY APPROVED DOCUMENT
 CSA244391 CLASS 1, DIVISION 1
 NO CHANGES ALLOWED TO THIS DOCUMENT WITHOUT APPROVAL OF NOTIFIED BODY OR CERTIFICATION AGENCY

L1 - PIM ENCLOSURE

- F500.2/U1-J19.1 18AWG\BLK3 → F500.2/U1-J19.1 POWER GOOD (F500.2/K10.9 FOR CRYD PRDVER)
- K501.A1/U1-J20.9 16AWG\BLK2 → K501.A1/U1-J20.9 CLUTCH/MOTOR POWER TO RELAY K502
- NC/U1-J20.8 18AWG\WHT3 → NC/U1-J20.8 MOTOR RUN
- K501.A2/X102.10 18AWG\WHT2 → K501.A2/X102.10 CLUTCH ENERGIZE
- PS501.DC+/X102.9 18AWG\BLK1 → PS501.DC+/X102.9 DC POSITIVE
- PS501.DC-/X102.1 18AWG\WHT1 → PS501.DC-/X102.1 DC NEGATIVE

REV	REVISIONS	DATE
B	MOVED TO AUTOCAD FORMAT ADDED CEMF DIODES TO CONTACTORS AND RELAYS	09/16/2022



FLOW
 MANAGEMENT
 DEVICES
 5225 SOUTH 37th ST, STE 4
 PHOENIX, AZ 85040
 PHONE: (602) 233-9885
 FAX: (602) 233-9887
 EMAIL: fmd-sales@idexcorp.com
 WWW.FLOWMWD.COM

NAME	DATE	TITLE:
DRAWN ROB K	09/16/2016	SYSTEM WIRING POWER DC HYDRAULIC G4
REV BY RICHARD P	10/11/2022	
CHECK		
REF. NO.	REV B	P/N: 000-111432-DOC
		MODEL #:
		SHEET 1 OF 1
		SIZE B

1 2 3 4 5 6 7 8 9 10