

REPLACING SEAL RETAINER SEALS FMD – (003-200)



WARNING
MAKE SURE THE POWER IS TURNED OFF AND PROPER LOCK AND TAG PROCEDURE HAS BEEN FOLLOWED

- (1) Remove the downstream cover
- (2) Remove the seal retainer
- (3) Remove and replace the seal retainer components
- For installation, reverse the process and follow from step three back to step one
- Please refer to torque table for all relevant hardware replacement

Note:

- a. ANTI-SEIZE lubricant must be applied to following bolts:
 - i. Seal retainer bolts



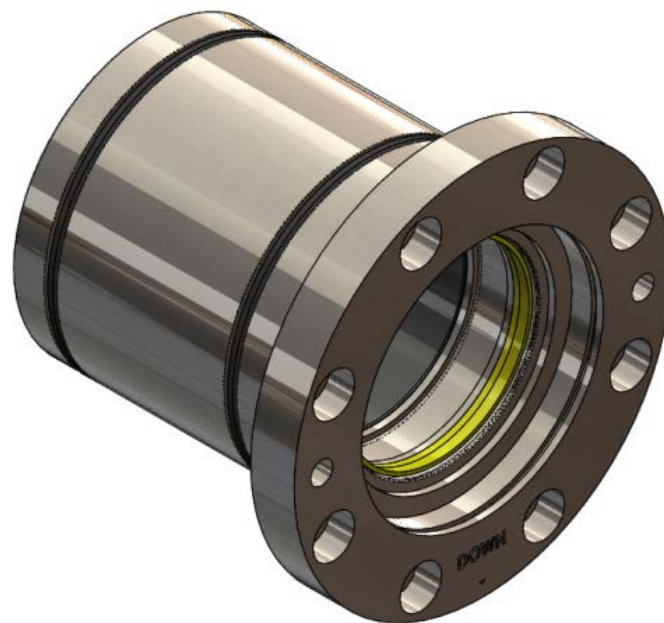
DO NOT APPLY LOCTITE TO BOLTS IN NOTE "a"

- b. All hardware must be torqued per ASTM 307
- c. Apply LOCKTITE 242 to all standard hardware **(Except bolts in note "a")**

Figure 1 - Seal retainer (003-090)



Figure 2 - Seal retainer cartridge (130-200)



REPLACING SEAL RETAINER SEALS FMD – (003-200)

Figure 3 - Seal retainer – Mid section view (003-090)

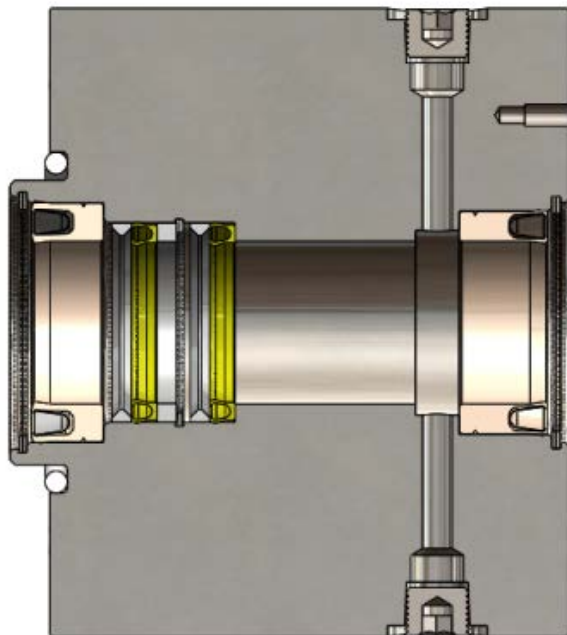


Figure 4 - Seal retainer cartridge – Mid section view (130-200)

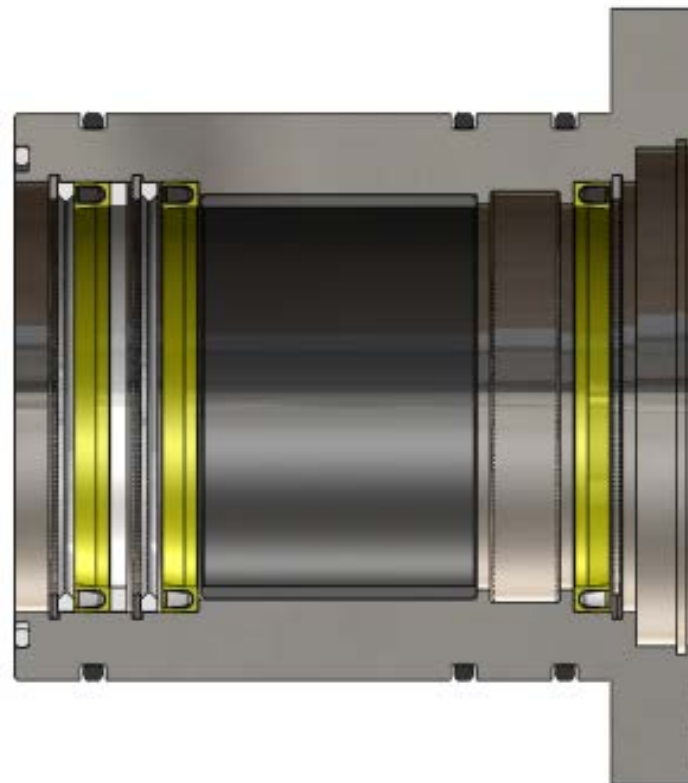


Figure 5 - Seal retainer – Exploded mid section view (003-090)

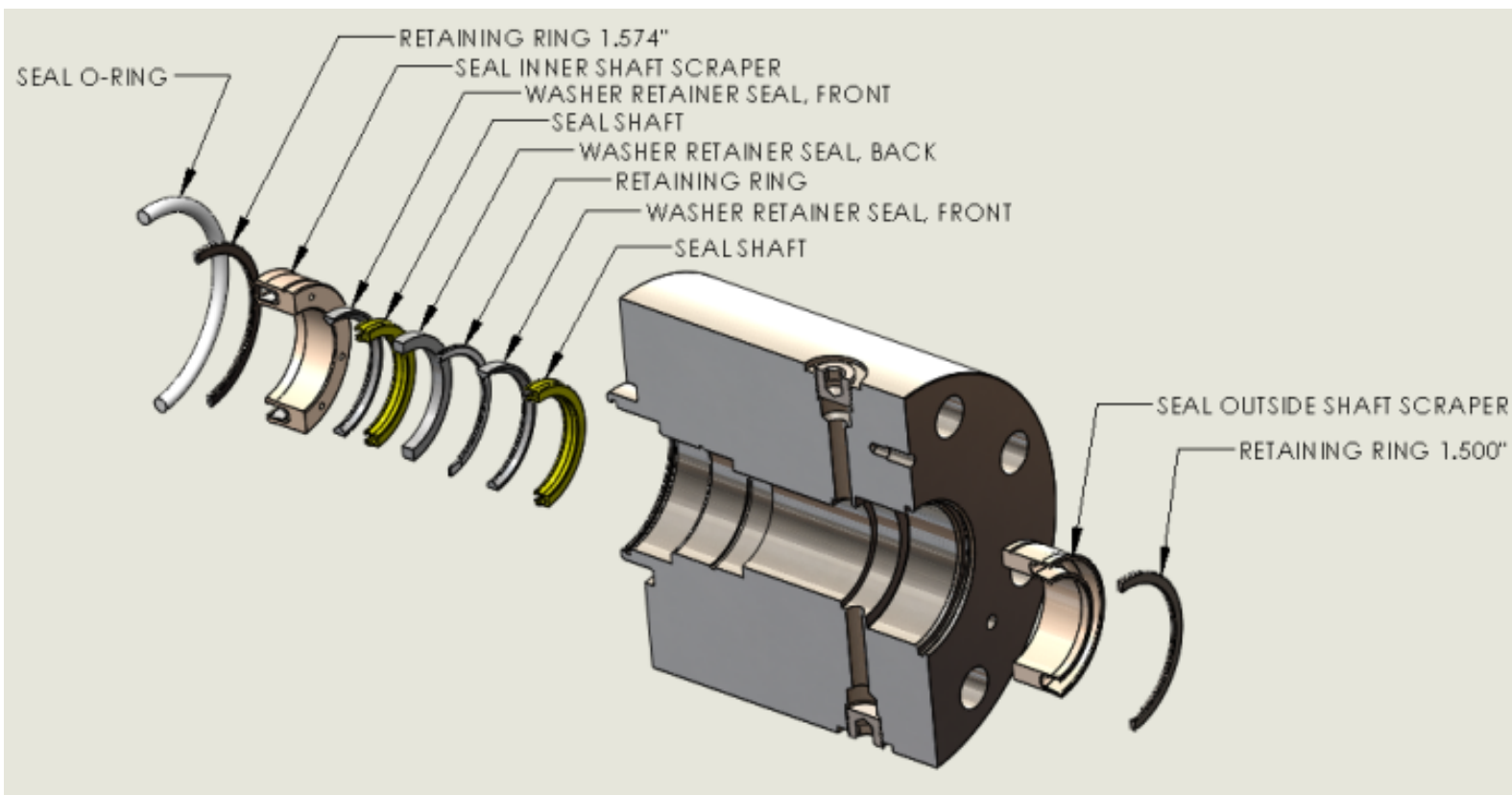


Figure 6 - Seal retainer cartridge – Exploded mid section view (130-200)

